

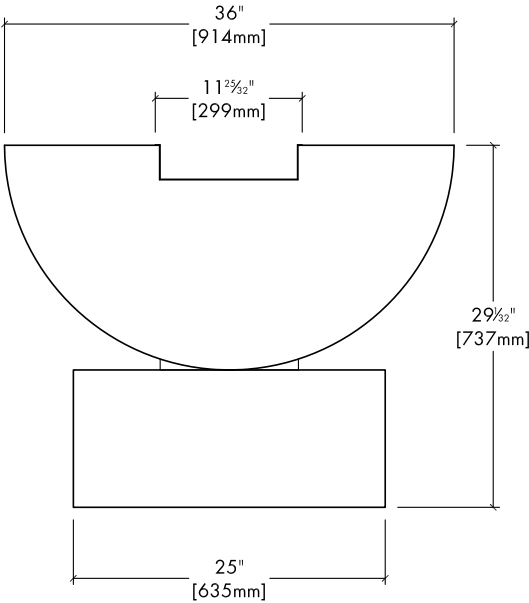
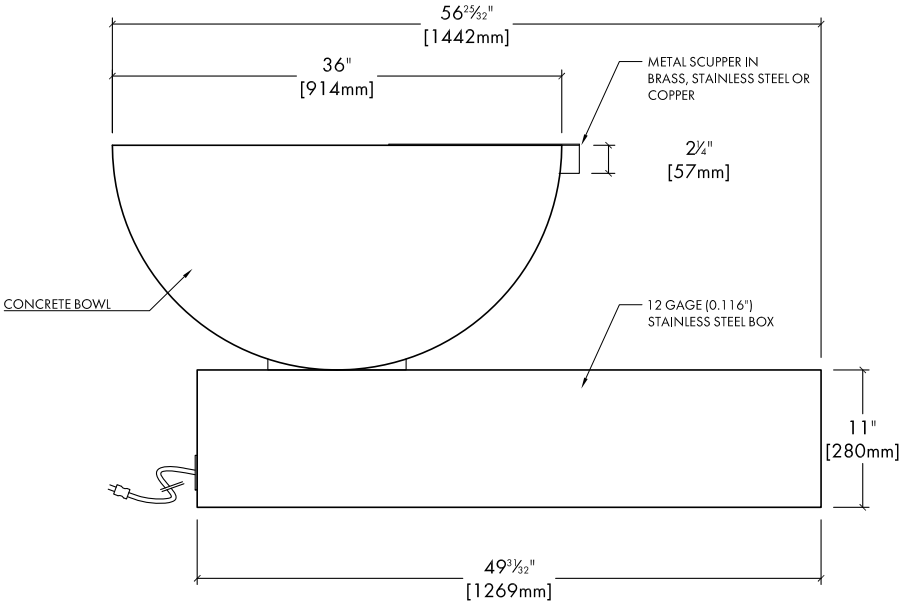
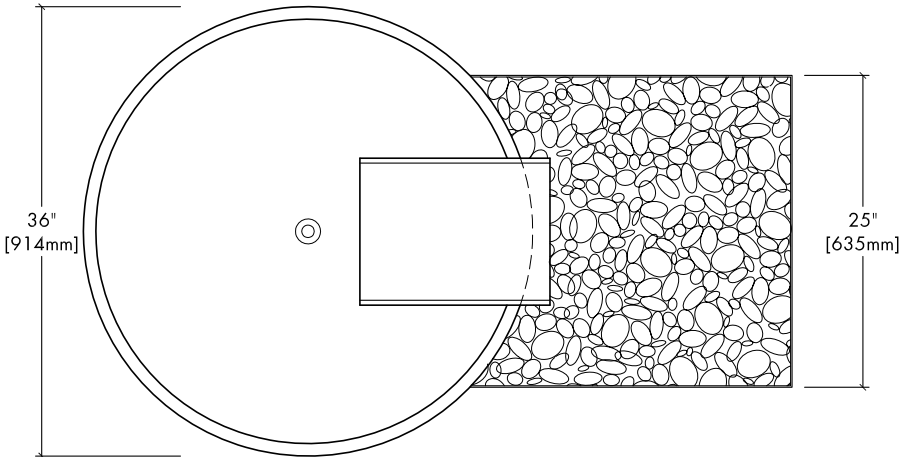
### SCUPPER 36 w/ STAINLESS STEEL BOX

This water feature requires a pond or reservoir to operate. An optional pump package is also available if required. We will work with your pool/pond consultant to make the project a success.

- Contents:
- Solus concrete bowl and solid metal scupper in Stainless Steel, Copper or Brass.
  - 3/4" (standard) or 1-1/2" bulkhead fitting (barbed or un-barbed) available.

-Optional Oase pump:  
800 GPH ( 3000 LPH) with 10ft of lift and 2 year manufacturers warranty.

NOTE: Pump is available for N. American voltage only (110V).



	ORDER NO. / JOB NAME	PRODUCT: <b>SCUPPER 36</b>
	Signature:	COLOUR: Bowl : Scupper: BULKHEAD: 3/4" or 1-1/2" – barbed or un-barbed PUMP: Required or Not Required OTHER: Weight ~ 160 lbs ( 73 kg) without water
	Date:	