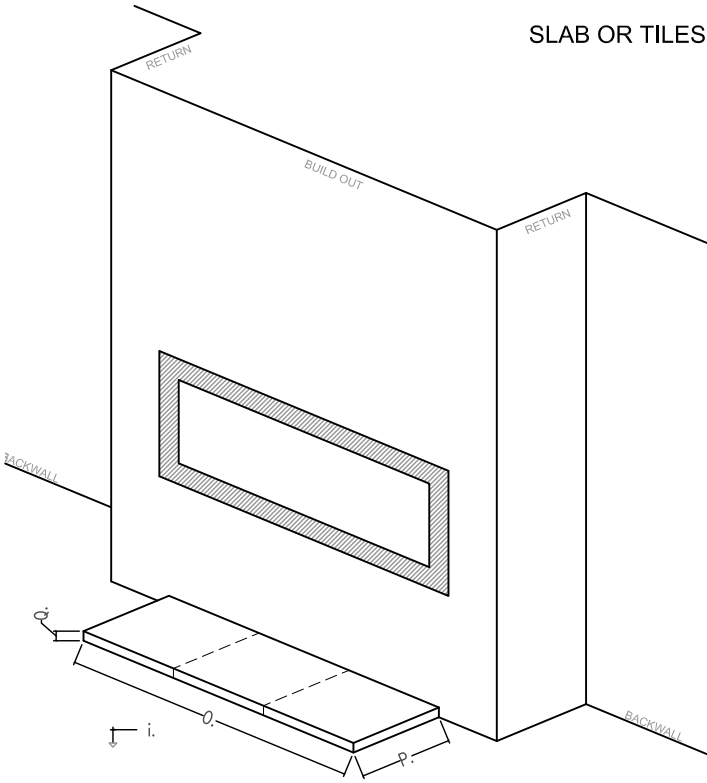


SLAB OR TILES



Slab hearths generally sit *on* the finished floor surface, leaving the full height of the slab visible.

Tiled hearths are generally set *into* the finished floor, leaving them flush or slightly proud of the surrounding flooring. If this is your situation, we will need to know the thickness and type of finished flooring you have.

Note that it is also possible to reverse this. Tiles can sit *on* the finished floor and a slab can sit *into* the floor.

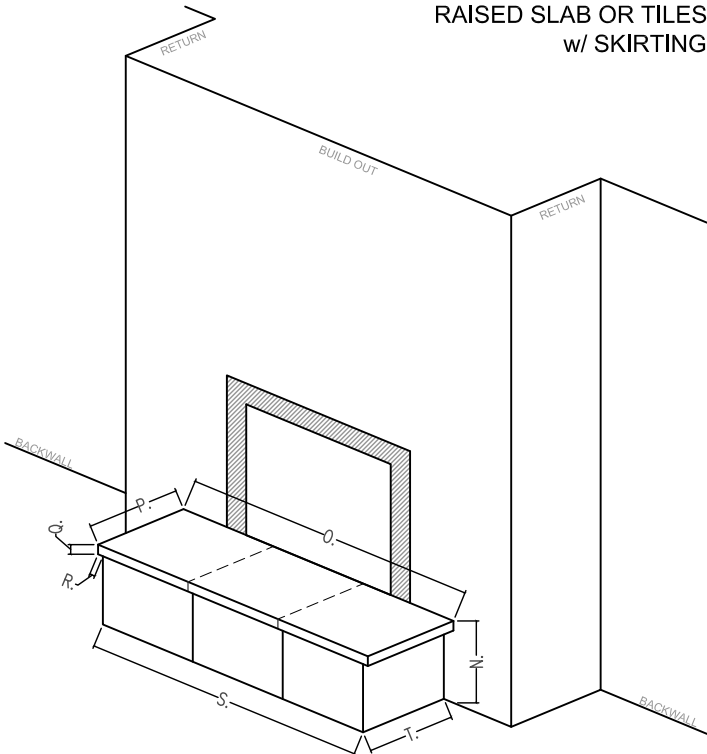
1/ SLAB HEARTH or TILED HEARTH

2/ ON FLOOR or INTO FLOOR

i. FLOOR TYPE & THICKNESS (if into floor) _____

O. WIDTH _____
 P. DEPTH _____
 Q. HEIGHT _____

RAISED SLAB OR TILES
w/ SKIRTING



Depending on the look desired, raised hearths can have either a slab, tiled, or even a multi-slab 'tiled' top.

You may want to have a small overhang from skirt facing ($\frac{1}{2}$ "-1" is normal). It is also possible to have the top flush to the skirt face. In this case indicate R. as zero.

Note that the bottom of tiles and slabs do not have the smooth SOLUS finish that the top and sides have. Keeping the overhang to less than 1" helps to minimize the possibility of seeing the underside.

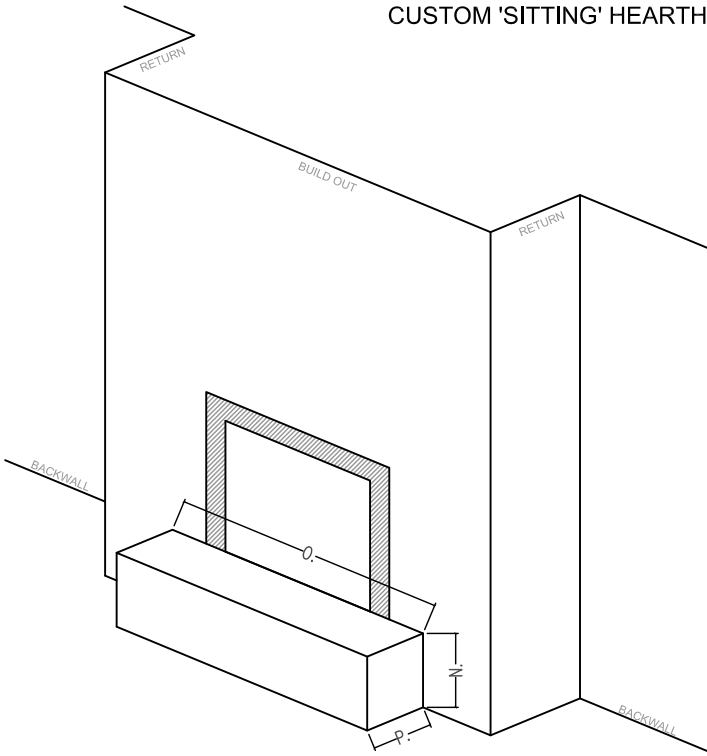
Tiled hearth tops should ideally be placed flush with skirting to prevent chipping along overhangs. Slabs, due to their increased thickness are perfectly suitable for overhanging.

1/ SLAB TOP or TILED TOP or MULTI-SLAB TOP

N. OVERALL HEIGHT _____
 O. WIDTH _____
 P. DEPTH _____
 Q. TOP HEIGHT tiles ($\frac{1}{2}$ " , $\frac{5}{8}$ " , $\frac{3}{4}$ ") slab (1- $\frac{1}{2}$ ") _____
 R. OVERHANG _____
 S. SKIRTING WIDTH _____
 T. SKIRTING DEPTH _____



CUSTOM 'SITTING' HEARTH



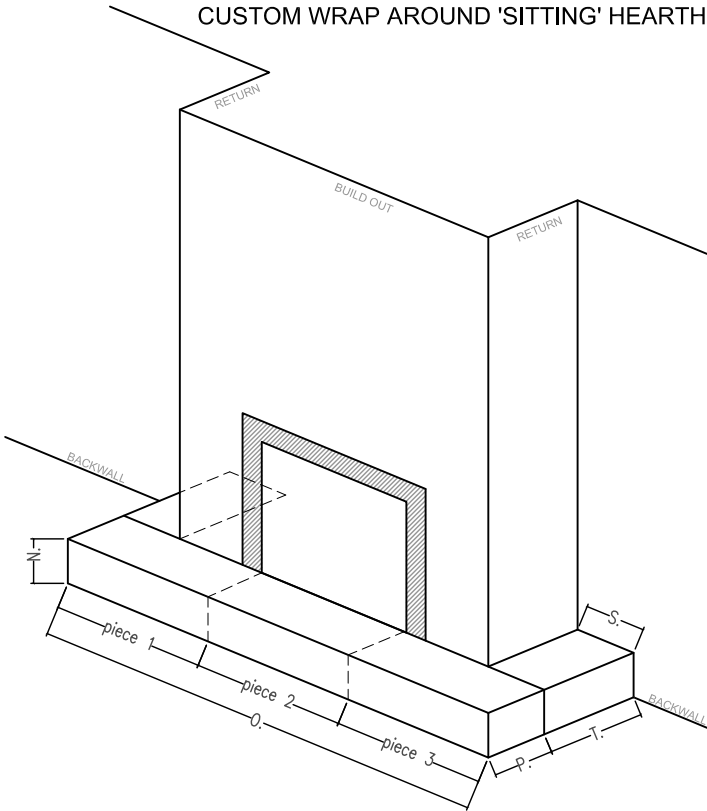
'Sitting' hearths are made to order, so height, depth and width are up to you, EXCEPT if you have a traditional log burning fireplace. If you are burning logs/wood you will need to check your local Fire Code regulations as there will be minimum depth and width requirements.

'Sitting' hearths usually sit on the finished floor, but may be set into the floor as well.

Note that all 'sitting' hearths have 5 sides. The bottom is open to the hollow interior. The wall thickness is 1-1/2".

N. HEIGHT _____
 O. WIDTH _____
 P. DEPTH _____

CUSTOM WRAP AROUND 'SITTING' HEARTH



Please make sure that buildout walls are square and parallel where appropriate. If not, uneven gaps to the walls should be thought through as concrete pieces can only be made square.

All pieces will be made to butt tight into each other. We bevel the edges which act as recesses for caulking. This allows a bit of expandability (if absolutely required) by increasing the joint width.

Also, check that your floor is level all the way around the build out. If not, find the shortest height to top of hearth and use this as your height (N.). You can use shims to adjust heights of the other pieces as required. Once these uneven gaps are caulked they become unnoticeable.

N. HEIGHT TOP OF HEARTH _____
 O. OVERALL WIDTH _____
 piece 1 _____ piece 2 _____ piece 3 _____
 P. DEPTH _____
 S. RETURN DEPTH _____
 T. RETURN WIDTH LEFT SIDE _____
 T. RETURN WIDTH RIGHT SIDE _____



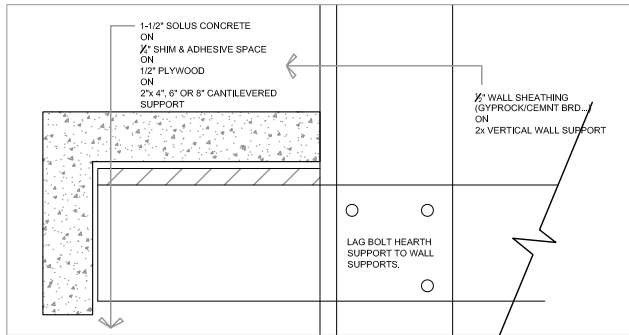
CUSTOM 'FLOATING' HEARTHTHS

GENERAL NOTES:

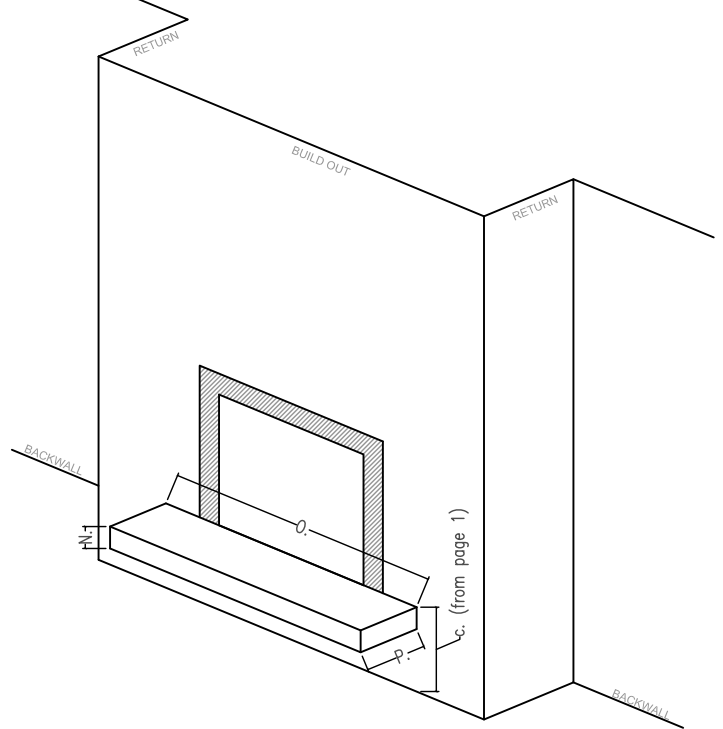
'Floating' hearths require a cantilevered substructure tied back into the wall to support the concrete. Solus Concrete is not structural and relies on this substructure to prevent cracking or falling. Use 2x(4,6 or 8's) with a 1/2" plywood sheathing that is well anchored into wall supports. Use sound building practices when constructing these supports.

There will be a direct relationship between the height (N.) and the depth (P.). As the depth increases so must the height. If you want to achieve a very thin slab look, a steel support may be required, please consult a structural engineer.

Floating hearths have 4 good sides (the back and bottom are open) and the concrete wall thickness is ~1 1/2"

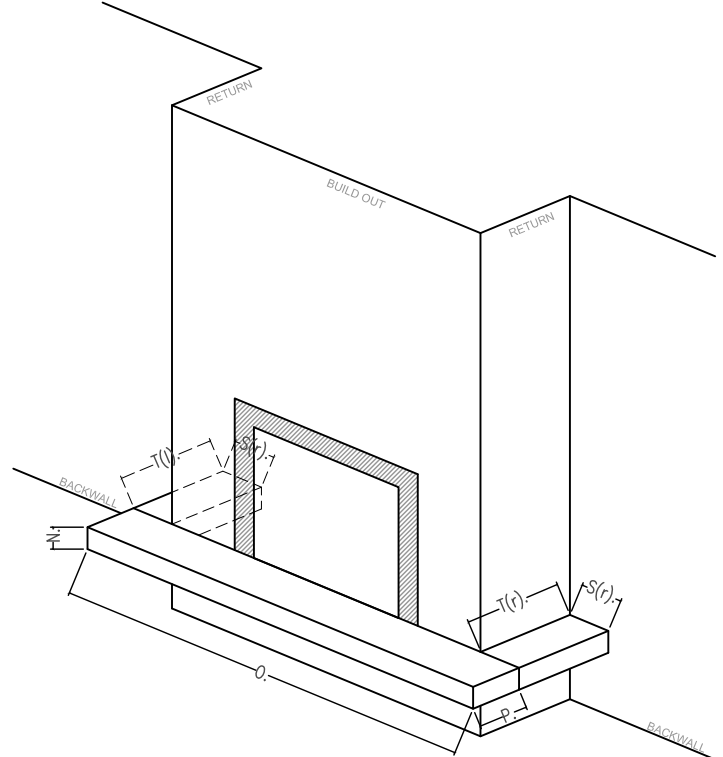


CUSTOM 'SITTING' HEARTH



N. HEIGHT _____
 O. WIDTH _____
 P. DEPTH _____

CUSTOM 'FLOATING' WRAP AROUND HEARTH



N. HEIGHT _____
 O. WIDTH _____
 P. DEPTH _____
 S(r). RIGHT SIDE RETURN DEPTH _____
 T(r). RIGHT SIDE RETURN WIDTH _____
 S(l). LEFT SIDE RETURN DEPTH _____
 T(l). LEFT SIDE RETURN WIDTH _____

